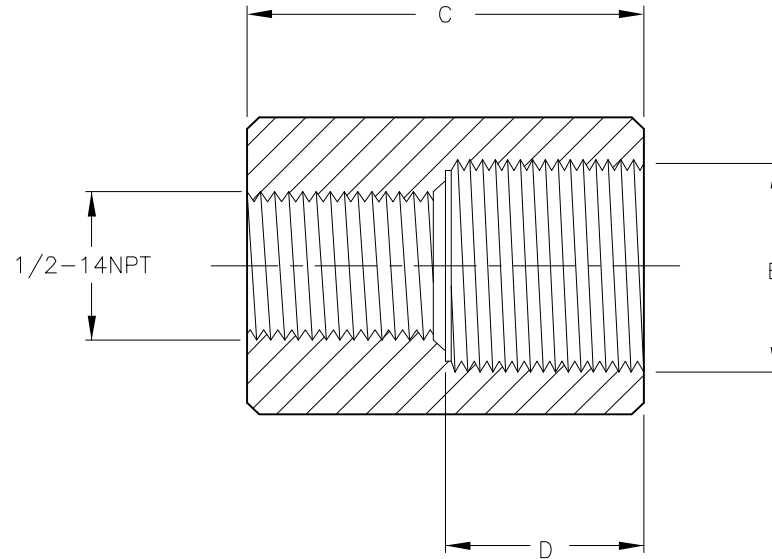
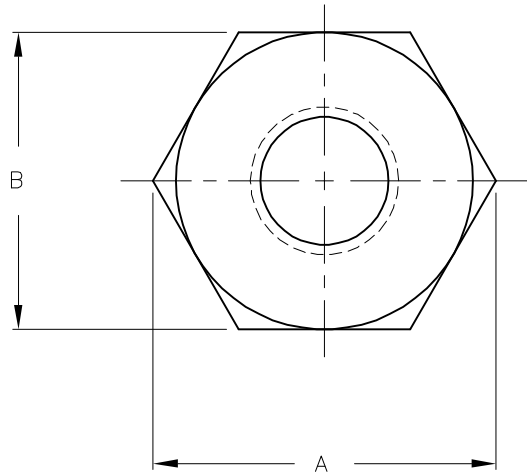


DESCRIPTION OF TABULATION

PART NO.	ID NO.	DIMENSIONS					PG36
		A	B	C	D	E	
TMF 47-G	A3360	$\frac{2.30''}{58.5}$	$\frac{2.00''}{50.8}$	$\frac{1.75''}{44.5}$	$\frac{.70''}{17.8}$		



SOURCE DRAWING - FOR REFERENCE ONLY

NOTES:

- CONDUIT ADAPTERS FOR USE WITH G AND P STYLE BARREL SENSORS.

RELATED DOCUMENTS 1. 2. 3. 4.	3RD ANGLE PROJECTION 	THIS DRAWING IS CONFIDENTIAL AND THE PROPERTY OF TURCK INC. USE OF THIS DOCUMENT WITHOUT WRITTEN PERMISSION IS PROHIBITED.	3000 CAMPUS DRIVE MINNEAPOLIS, MN 55441 1-800-544-7769 (763) 553-7300 (763) 553-0708 fax www.turck.us	
	MATERIAL ALUMINUM	ALL DIMENSIONS DISPLAYED ON THIS DRAWING ARE FOR REFERENCE ONLY CONTACT TURCK FOR MORE INFORMATION	DRFT GMB DATE 1/21/88	DESCRIPTION TMF 47-G
			APVD	
	FINISH CLEAR IRRIDITE	UNIT OF MEASUREMENT INCH [MILLIMETER]	IDENTIFICATION NO. A3360	REV G
DO NOT SCALE THIS DRAWING		FILE: A3360	SHEET 1 OF 1	

G	UPDATE	KB	05/05/25	81176
REV	DESCRIPTION	BY	DATE	ECO NO.